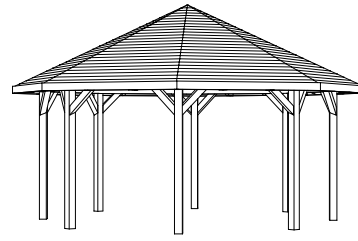
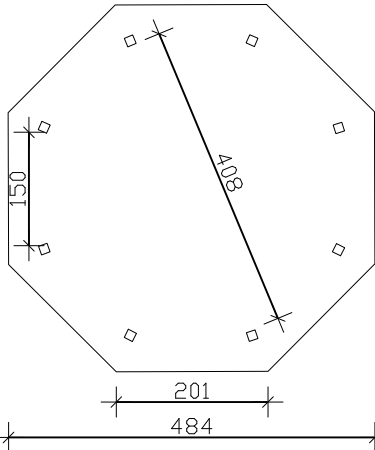


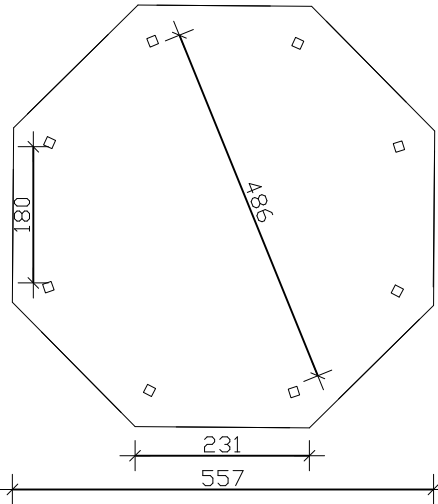
4018211 37165 5 (Size 2)



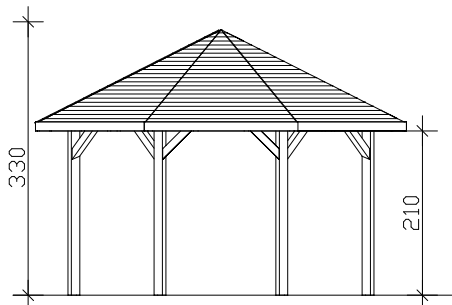
4018211 37166 2 (Size 3)



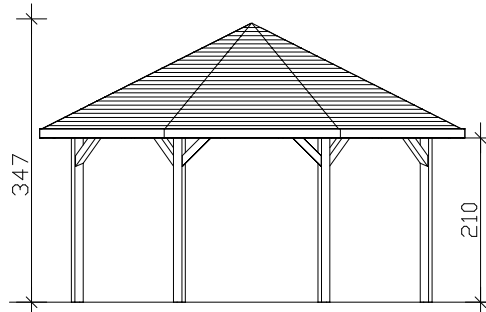
Ground plan



Ground plan



Front view



Front view

Scale 1:100

"Nice" 8 Gazebos, Size 484cm / 557cm

Datasheet / Construction Description



Type of wood / iron parts	Glulam, untreated / galvanized
Posts	8 each 12x12x210cm
Roofing	roofing boards (without asphalt shingles)
Snow load	sk = 1,50kN/m ²
Clearance width	408cm / 486cm
Total height (clearance)	330cm (210cm) / 347cm (210cm)
Square measure (solid...)	19,46m ² (52,53m ³) / 25,59m ² (71,28m ³)
Roof pitch / -overhang	25° / all round 40cm
Roofage	21,47m ² / 28,27m ³
Packaging dimensions	W x L x H 118 x 290 x 80-93cm / weight 787-909kg
Including	Mounting hardware, post anchors, Assembly instructions