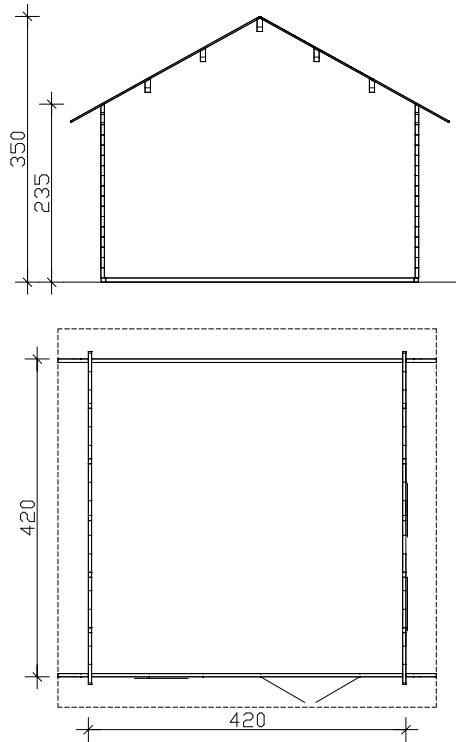
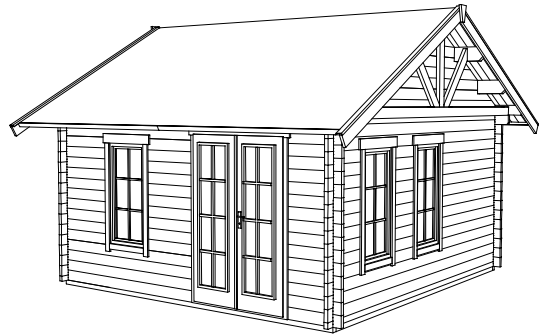


SKAN HOLZ
Log cabins

1. 45mm planks as stable wall construction
2. concealed cross-bracing for optimum utilization of space
3. profiled corner connections for reliable protection against rain

SKAN HOLZ
corner connections



Floor plan, cross-section and elevations M 1:100

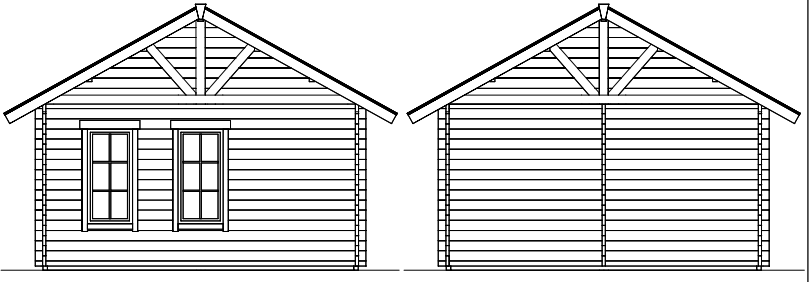
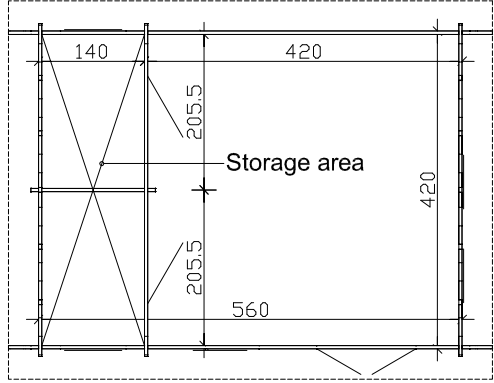
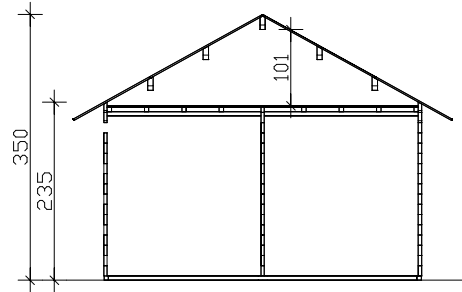
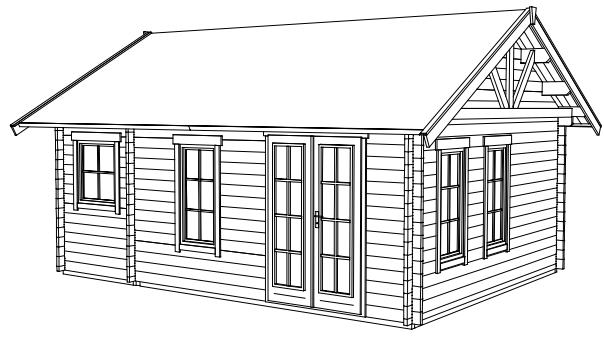
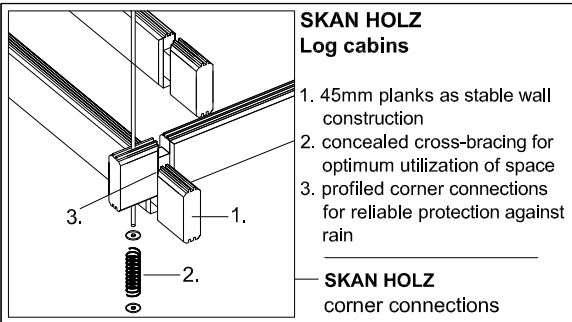
Bern 1 420 x 420cm
Data sheet / construction description

Bern 1^{45plus}

Walls	45mm wooden planks , untreated
Ground supports/floors	60 x 60mm , impregnated / 19mm floor planks , untreated (Insulation by customer possible)
Iron parts	galvanized
Width x depth	420cm x 420cm with roof extension 40cm, around circumference
Height, eaves / gable	235cm / 350cm
Area / building volume	17,64m² / 51,60m³ (without roof extension)
Roof inclination/- area	29° / 28,60m²
Snowload	max. sk = 1,25kN/m² (roofing tiles)
- Basic model	4018211 611003 (Boards and roofing felt)
- Roofing tiles	4018211 611034 (Counter battens and battens for roofing tiles)
- Shingles	4018211 611041 (Counter battens and 2. battens for shingles)
	(Roofing tiles and shingles are not included!) (The informations about height and building volume are for the basic model !)
Inclusive	1 double door (passage 112 x 181,5cm), 3 tilt- and turn windows (opening 52 x 118cm), concealed tie rod construction , profiled corner connections

By customer

Insulation, assembly ground supports with subsoil



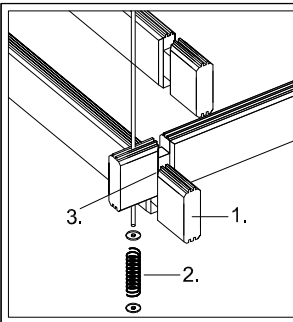
Using storage area at your own risk!

Floor plan, cross-section and elevations M 1:100

Bern 2 420 x 560cm
Data sheet / construction description

Bern 2^{45plus}

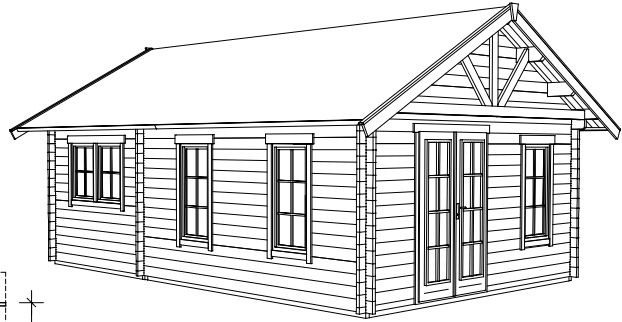
Walls	45mm wooden planks , untreated
Ground supports/floors	60 x 60mm + 60 x 113mm , impregnated / 19mm floor planks , untreated / (Insulation by customer possible)
Iron parts	galvanized
Width x depth	420cm x 560cm with roof extension 40cm, around circumference
Height, eaves / gable	235cm / 350cm
Area / building volume	23,52m² / 68,80m³ (without roof extension)
Roof inclination/- area	29° / 36,86m²
Snowload	max. sk = 1,25kN/m² (roofing tiles)
- Basic model	4018211 611058 (Boards and roofing felt)
- Roofing tiles	4018211 611089 (Counter battens and battens for roofing tiles)
- Shingles	4018211 611096 (Counter battens and 2. battens for shingles)
(Roofing tiles and shingles are not included!)	
(The informations about height and building volume are for the basic model !)	
Inclusive	1 door (passage 112 x 181,5cm), 2 interior doors (passage 78 x 186cm), 3 tilt- and turn windows (opening 52 x 118cm), 2 tilt- and turn windows (opening 68 x 78cm), concealed tie rod construction , profiled corner connections
By customer	Assembly ground supports with subsoil



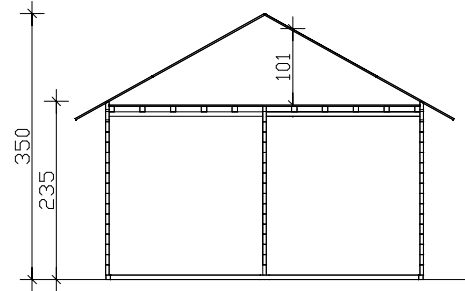
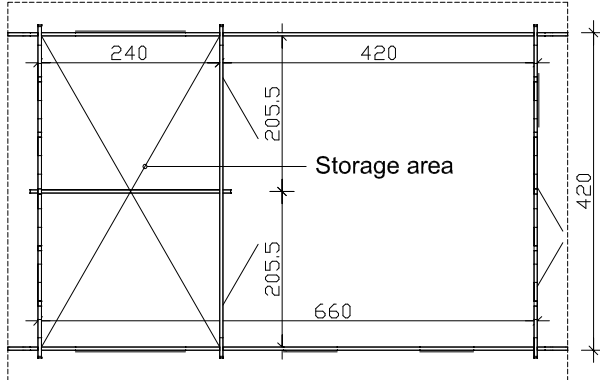
SKAN HOLZ
Log cabins

1. 45mm planks as stable wall construction
2. concealed cross-bracing for optimum utilization of space
3. profiled corner connections for reliable protection against rain

SKAN HOLZ
corner connections



Using storage area at your own risk!



Floor plan, cross-section and elevations M 1:100

Bern 4 420 x 660cm

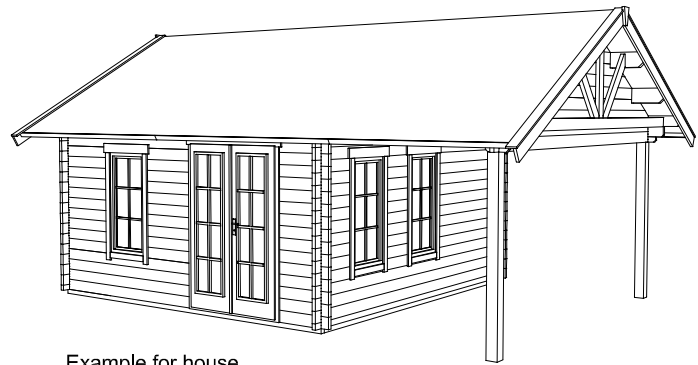
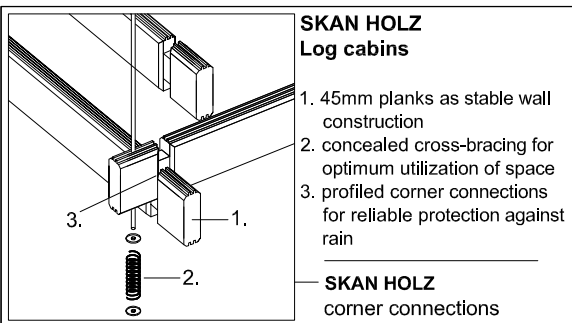
Data sheet / construction description

Bern 4^{45plus}

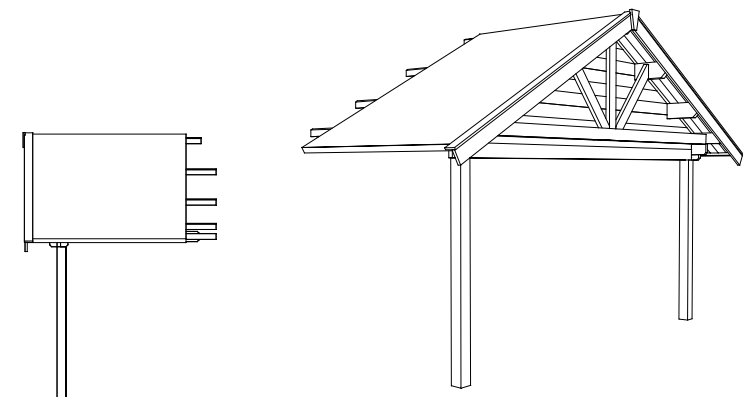
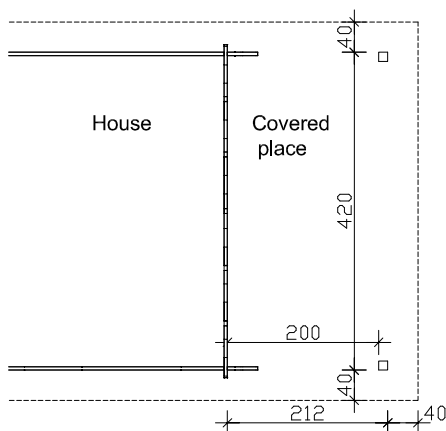
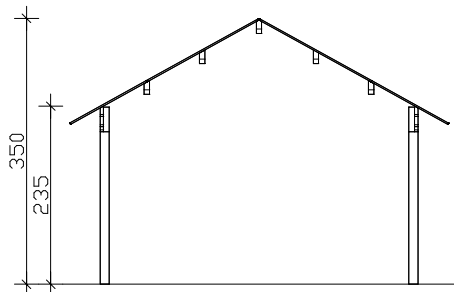
Walls	45mm wooden planks , untreated
Ground supports/floors	60 x 60mm + 60 x 113mm , impregnated / 19mm floor planks , untreated / (Insulation by customer possible)
Iron parts	galvanized
Width x depth	420cm x 660cm with roof extension 40cm, around circumference
Height, eaves / gable	235cm / 350cm
Area / building volume	27,72m² / 81,08m³ (without roof extension)
Roof inclination/- area	29° / 42,62m²
Snowload	max. sk = 1,25kN/m² (roofing tiles)
- Basic model	4018211 611249 (Boards and roofing felt)
- Roofing tiles	4018211 611256 (Counter battens and battens for roofing tiles)
- Shingles	4018211 611263 (Counter battens and 2. battens for shingles)
(Roofing tiles and shingles are not included!)	
(The informations about height and building volume are for the basic model !)	
Inclusive	1 door (passage 112 x 181,5cm), 2 interior doors (passage 78 x 186cm), 3 tilt- and turn windows (opening 52 x 118cm), 2 tilt- and turn windows (opening 126,5 x 78cm), concealed tie rod construction, profiled corner connections

By customer

Assembly ground supports with subsoil



Example for house
420x420cm



Floor plan, cross-section and elevations M 1:100

Roof extension at the side on 212 x 420cm for Bern
Data sheet / construction description

Bern ^{45plus}

Walls	45mm wooden planks , untreated
Posts	Pine 120x120mm , untreated
Iron parts	galvanized
Width x depth	212cm x 420cm with roof extension 40cm, around circumference
Height, eaves / gable	235cm / 350cm
Area / building volume	8,90m² / 26,04m³ (without roof extension)
Roof inclination/- area	29° / 12,13m²
Snowload	max. sk = 1,25kN/m² (roofing tiles)
- Basic model	4018211 611157 (Boards and roofing felt)
- Roofing tiles	4018211 611225 (Counter battens and battens for roofing tiles)
- Shingles	4018211 611232 (Counter battens and 2. battens for shingles)
(Roofing tiles and shingles are not included!)	
(The informations about height and building volume are for the basic model !)	
Inclusive	profiled corner connections, gable strutting

By costumer	Assembly posts with subsoil
--------------------	-----------------------------