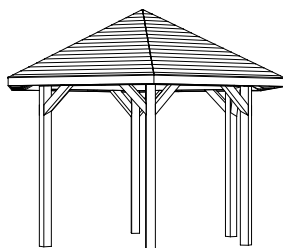
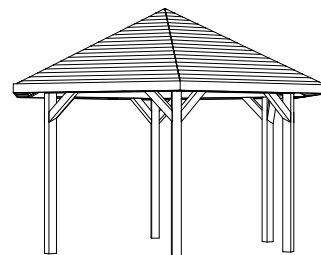


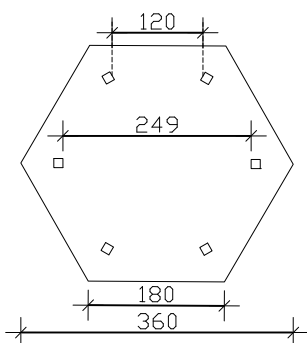
4018211 37160 0 (Size 1)



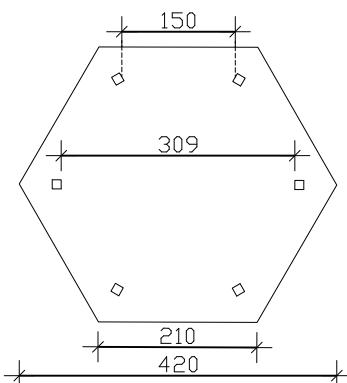
4018211 37161 7 (Size 2)



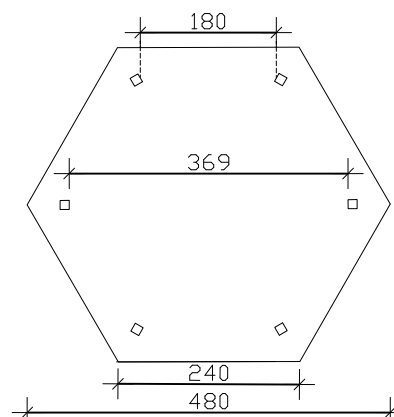
4018211 37162 4 (Size 3)



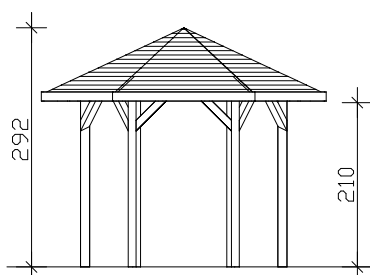
Ground plan



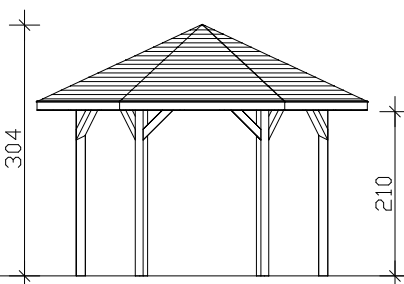
Ground plan



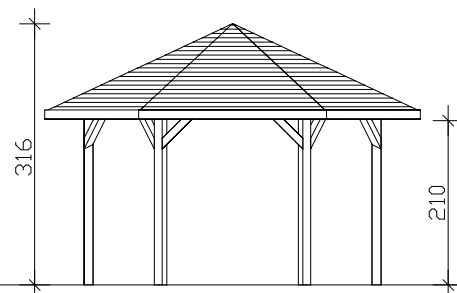
Ground plan



Frontview



Frontview



Frontview

Scale 1:100

"Nancy" Gazebo, Size 360cm / 420cm / 480cm

Datasheet / Construction Description

| | |
|---------------------------|---|
| Type of wood / iron parts | Glulam, untreated / galvanized |
| Posts | 6 each 12x12x210cm |
| Roofing | roofing boards (without bitumen shingles) |
| Snow load | sk = 1,00kN/m ² |
| Clearance width | 249cm / 309cm / 369cm |
| Total height (clearance) | 292cm (210cm) / 304cm (210cm) / 316cm (210cm) |
| Square measure (solid...) | 8,69m ² (21,82m ³) / 11,78m ² (30,28m ³) / 15,34m ² (40,33m ³) |
| Roof pitch / -overhang | 25° / all round 40cm |
| Roofage | 9,56m ² / 12,98m ² / 16,92m ² |
| Packaging dimensions | W x L x H 118 x 210-280 x 65-70cm / weight 460-620kg |
| Including | Mounting hardware, post anchors, Assembly instructions |