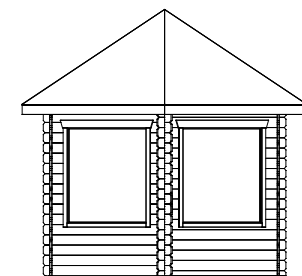
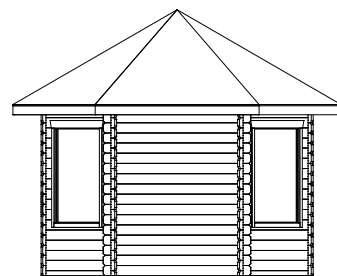
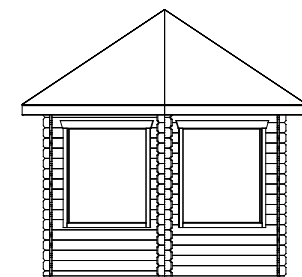
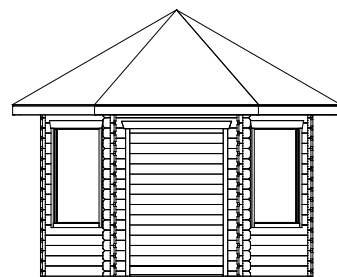
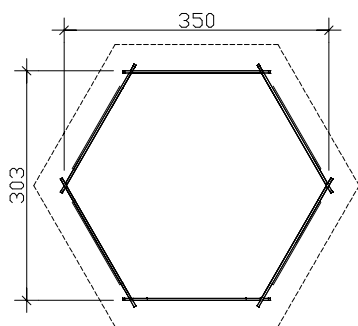
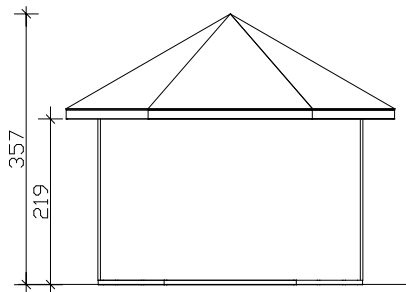
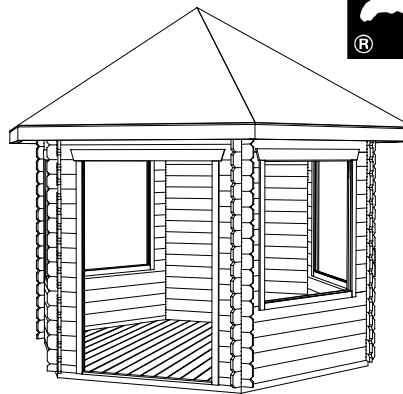


SKAN HOLZ
Log cabins

1. 28mm planks as stable wall construction
2. concealed cross-bracing for optimum utilization of space
3. profiled corner connections for reliable protection against rain

Wooden floor with ground supports, roofing paper and accessories included.

SKAN HOLZ corner connections



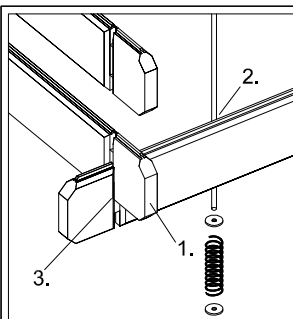
Floor plan, cross-section and elevations M 1:100

Madeira 1 350 x 303cm

Data sheet / construction description



Walls	28mm wooden planks, untreated
Roof	19mm profiled wood, untreated
Floors	19mm floor planks, impregnated
Ground supports	60 x 60mm, impregnated
Iron parts	galvanized
Width x depth	350cm x 303cm
Height, eaves / gable	219cm / 357cm
Area / building volume	7,95m² / 21,07m³
Roof inclination	30° / snow load max. sk = 0,75kN/m²
Roof extension	Around circumference 35cm / roof surface 14,65m²
Packaging unit	Width x length x height 120 x 320 x 54cm / 619kg
EAN	4018211 554010
Inclusive	1 frame (passage 123,4 x 193cm), 4 frames (opening 118,6 x 123,5cm), 1 layer of tarpaper for roofing, concealed tie rod construction, profiled corner connections

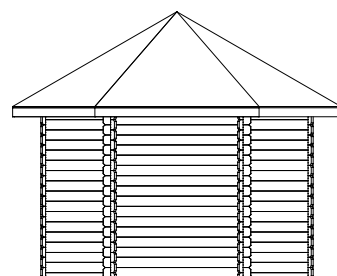
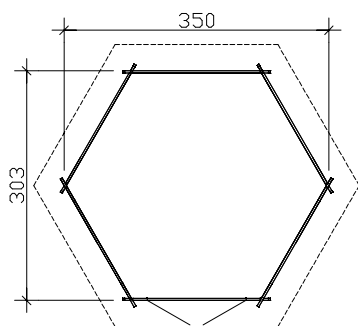
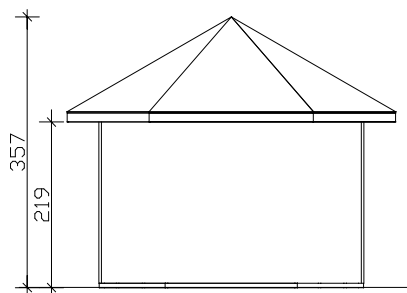
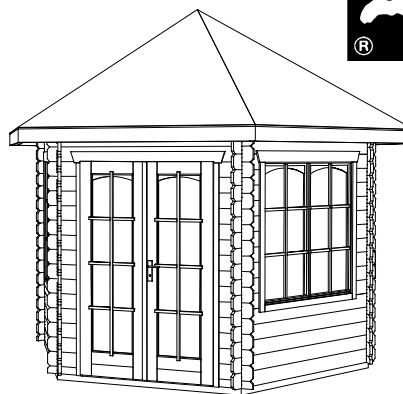


SKAN HOLZ
Log cabins

1. 28mm planks as stable wall construction
2. concealed cross-bracing for optimum utilization of space
3. profiled corner connections for reliable protection against rain

Wooden floor with ground supports, roofing paper and accessories included.

SKAN HOLZ corner connections



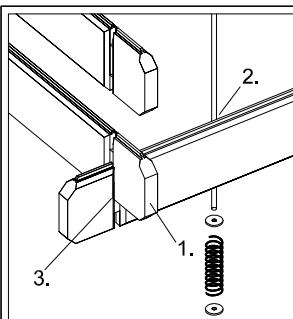
Floor plan, cross-section and elevations M 1:100

Madeira 2 350 x 303cm

Data sheet / construction description



Walls	28mm wooden planks, untreated
Roof	19mm profiled wood, untreated
Floors	19mm floor planks, untreated
Ground supports	60 x 60mm, impregnated
Iron parts	galvanized
Width x depth	350cm x 303cm
Height, eaves / gable	219cm / 357cm
Area / building volume	7,95m² / 21,07m³
Roof inclination	30° / snow load max. sk = 0,75kN/m²
Roof extension	Around circumference 35cm / roof surface 14,65m²
Packaging unit	Width x length x height 120 x 325 x 65cm / 675kg
EAN	4018211 554058
Inclusive	1 door (passage 123,4 x 193cm), 2 side hinged-double window (opening 2 x 57,5 x 123,5cm), 1 layer of tarpaper for roofing, concealed tie rod construction, profiled corner connections

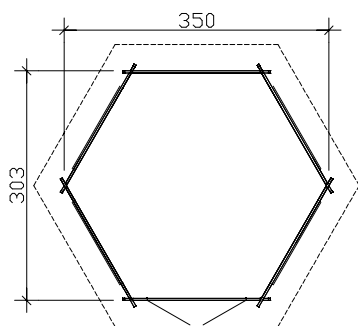
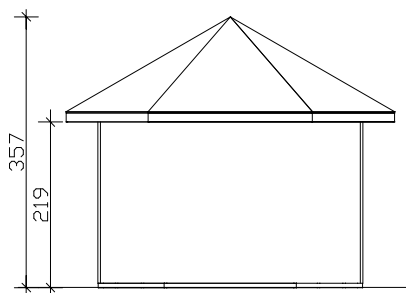
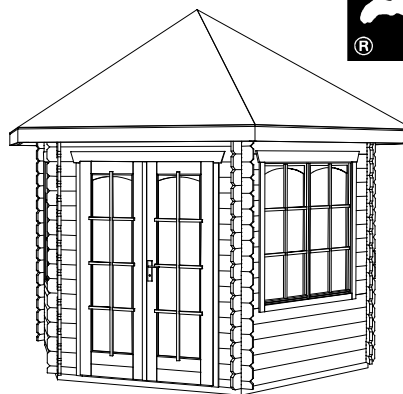


SKAN HOLZ
Log cabins

1. 28mm planks as stable wall construction
2. concealed cross-bracing for optimum utilization of space
3. profiled corner connections for reliable protection against rain

Wooden floor with ground supports, roofing paper and accessories included.

SKAN HOLZ corner connections



Floor plan, cross-section and elevations M 1:100

Madeira 3 350 x 303cm

Data sheet / construction description



Walls	28mm wooden planks, untreated
Roof	19mm profiled wood, untreated
Floors	19mm floor planks, untreated
Ground supports	60 x 60mm, impregnated
Iron parts	galvanized
Width x depth	350cm x 303cm
Height, eaves / gable	219cm / 357cm
Area / building volume	7,95m² / 21,07m³
Roof inclination	30° / snow load max. sk = 0,75kN/m²
Roof extension	Around circumference 35cm / roof surface 14,65m²
Packaging unit	Width x length x height 120 x 320 x 68cm / 699kg
EAN	4018211 554065
Inclusive	1 door (passage 123,4 x 193cm), 4 side hinged-double window (opening 2 x 57,5 x 123,5cm), 1 layer of tarpaper for roofing, concealed tie rod construction, profiled corner connections