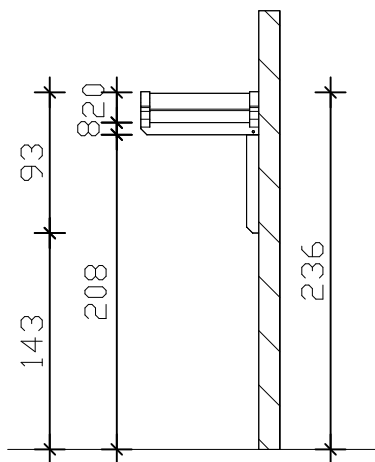
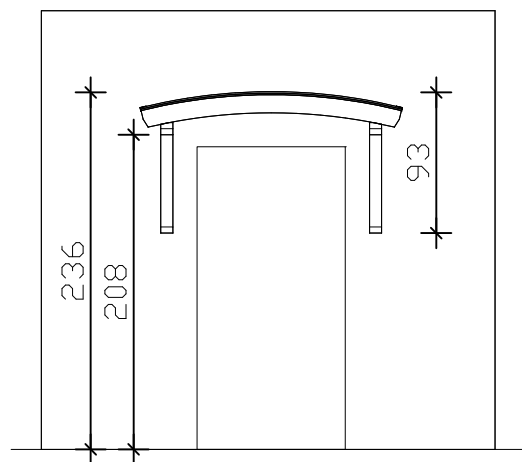


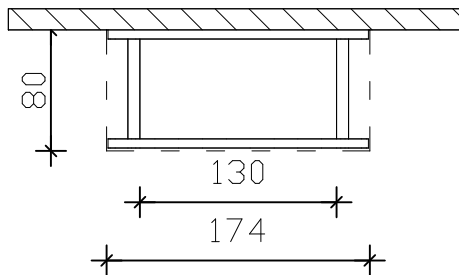
4018211 206704



Side View



Front View



Floor plan

M 1:200

**Design Canopie**  
**Datasheet / Construction Description**

Rostock

Type wood / Hardware	softwood, untreated / galvanised
Posts / Rafter	8x8cm / 6x12cm
Roof covering	Double bar 10mm (transparent)
Width x depth	174cm x 80cm
Height / Entrance	236cm / 208cm (Object height 93cm)
Package dimensions	W x L x H 112 x 180 x 50cm / Weight 105kg
Including	Mounting material, Upper Struts, set up instructions (material for attaching constructions to walls is not included)