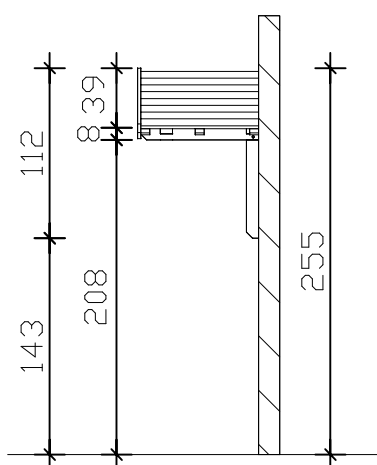
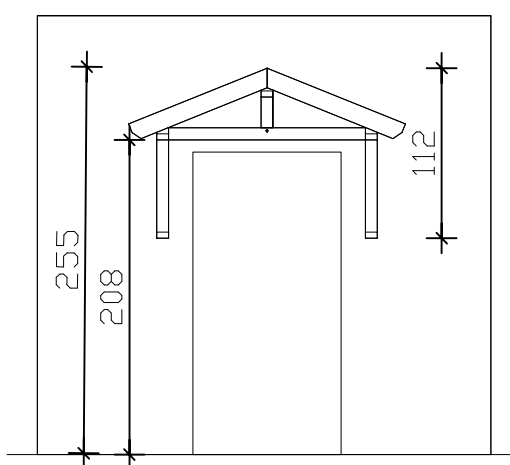


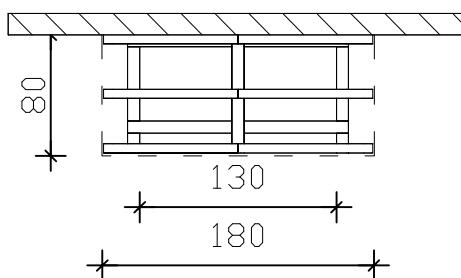
4018211 206605



Side View



Front View



Floor plan

M 1:200

**Design Canopie**  
**Datasheet / Construction Description**



<b>Type wood / Hardware</b>	<b>softwood, untreated / galvanised</b>
<b>Posts / Rafter</b>	<b>8x8cm / 6x6cm</b>
<b>Roof covering</b>	<b>roofing boards 2x12cm / roof inclination 22°</b>
<b>Width x depth</b>	<b>180cm x 80cm</b>
<b>Height / Entrance</b>	<b>255cm / 208cm (Object height 112cm)</b>
<b>Package dimensions</b>	<b>W x L x H 115 x 160 x 25cm / Weight 85kg</b>
<b>Including</b>	<b>Mounting material, Upper Struts, set up instructions (material for attaching constructions to walls is not included)</b>