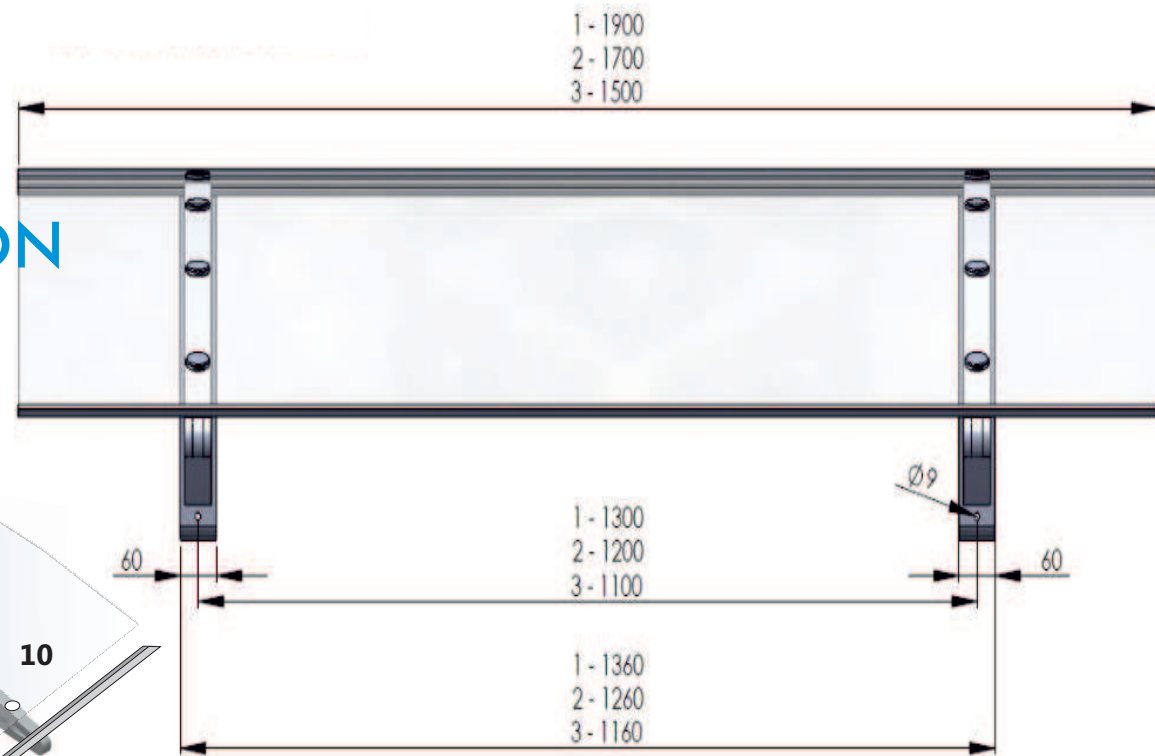
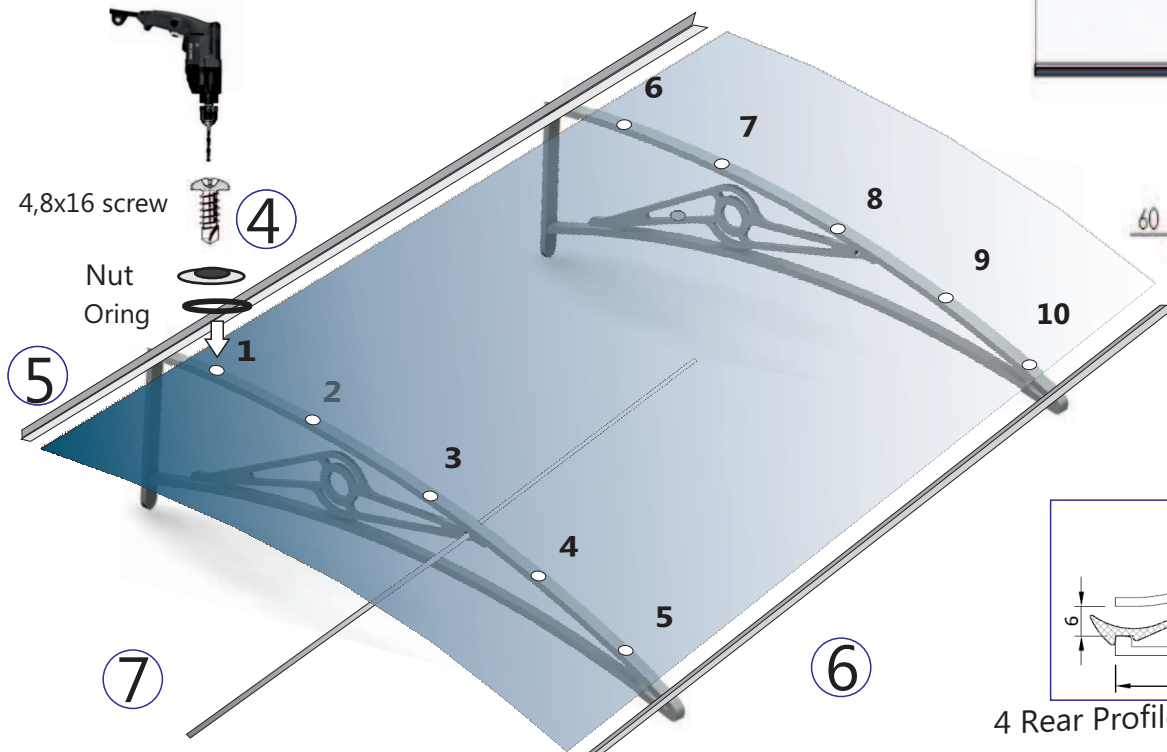


# TRANSPAFORZA

## TF Pro Lux Extended. INSTALLATION



1 Prepare The Wall Holes

2 Screw the arms to the wall

3 Place and adjust the roof sheets

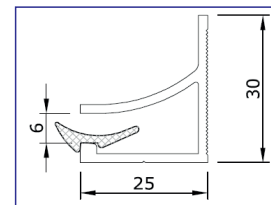
4 With the driller squeeze all the screw form 1 to 8

5 Silicene the bearing of front rear profile to the roof, than silicene the rear side of profile to the wall.

6 Silicene the bearing of front profile and place to the roof sheet.

7 Place the aluminum tube between the arms and squeeze the nuts.

8 Cover all screw with the screw covers.



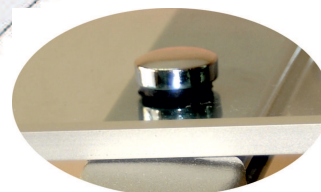
4 Rear Profile



5 Front Profile



7 Support Tube and nuts

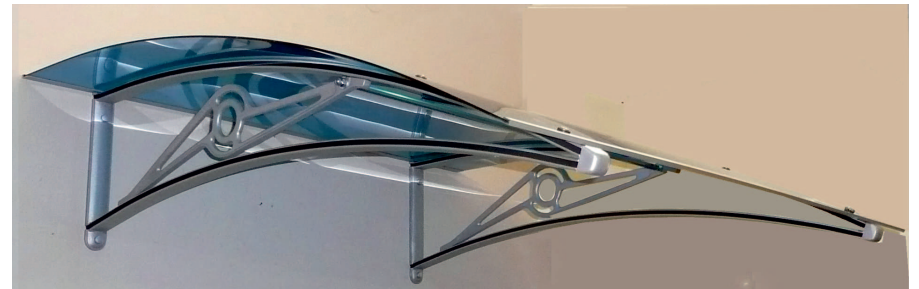
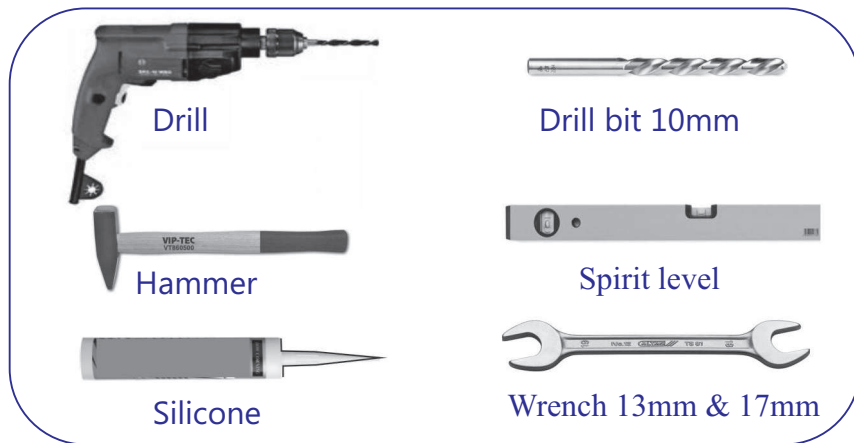


8 Screw cover

# TRANSFORZA<sup>®</sup>

Canopies

## Required Tools



## **TF Pro Lux Extended**

## Single Applications