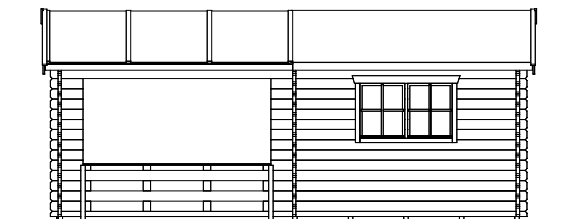
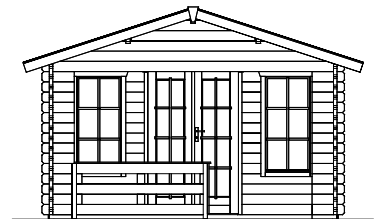
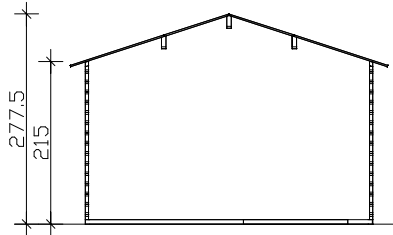
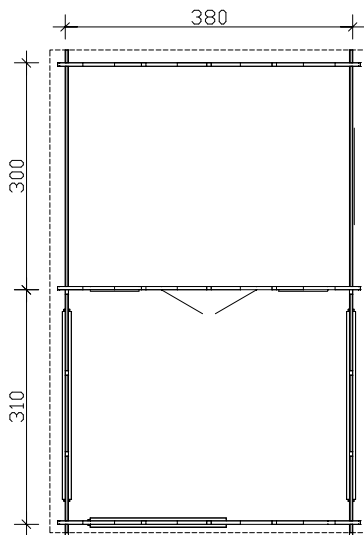
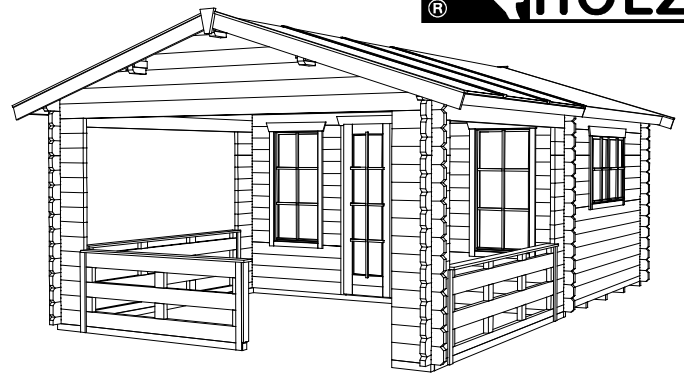


**SKAN HOLZ**  
**Log cabins**

1. 45mm planks as stable wall construction
2. concealed cross-bracing for optimum utilization of space
3. profiled corner connections for reliable protection against rain

Wooden floor with ground supports, roofing paper and accessories included.

SKAN HOLZ corner connections



Floor plan, cross-section and elevations M 1:100

**Holmestrand 380 x 610cm**

**Data sheet / construction description**

*Holmestrand*

<b>Walls</b>	<b>45mm-wooden planks</b> , untreated
<b>Roof</b>	<b>19mm profiled wood</b> , untreated / <b>double bar 10mm</b> , clear
<b>Floors</b>	<b>19mm floor planks</b> (only in storage room), untreated
<b>Ground supports</b>	<b>60 x 60mm</b> , impregnated
<b>Iron parts</b>	<b>galvanized</b>
<b>Width x depth</b>	<b>380cm x 310cm + storage room 380 x 300cm</b>
<b>Height, eaves / gable</b>	<b>215cm / 277,5cm</b>
<b>Area / building volume</b>	<b>11,40m<sup>2</sup></b> (storage room) / <b>11,78m<sup>3</sup></b> (terrace) / <b>57,08m<sup>3</sup></b> (altogether)
<b>Roof inclination</b>	<b>18°</b> / snow load max. <b>sk = 0,75kN/m<sup>2</sup></b>
<b>Roof extension</b>	<b>everywhere 20cm</b> / roof surface <b>28,64m<sup>2</sup></b>
<b>Packaging unit</b>	<b>Width x length x height 120 x 405 x 76cm</b> / <b>1280kg</b>
<b>EAN</b>	<b>4018211 606016</b>
<b>Inclusive</b>	<b>1 double door</b> (passage 117,5 x 186,5cm), <b>2 tilt- and turn windows</b> (opening 57,5 x 123,5cm), <b>1 tilt- and turn window</b> (opening 2 x 57,5 x 70,5cm), <b>1 layer of tarpaper for roofing</b> , <b>concealed tie rod construction</b> , <b>profiled corner connections</b>