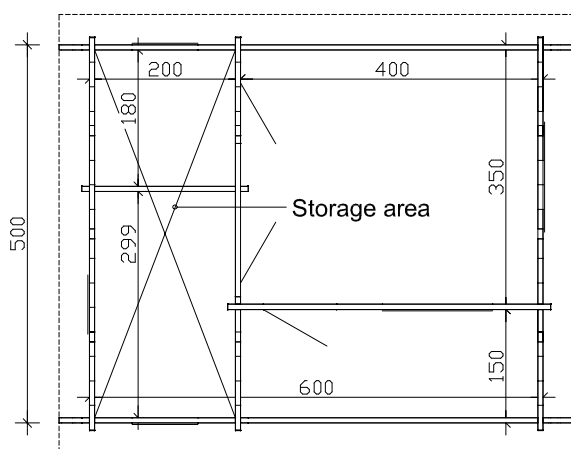


Using storage area at your own risk!



Floor plan, cross-section and elevations M 1:100

**Ontario 600 x 500cm
Data sheet / construction description**



Walls	70mm wooden planks , untreated
Ground supports/floors	60x60mm/60x113mm , impregnated / 28mm floor planks , untreated (Insulation by costumer possible)
Iron parts	galvanized
Width x depth	600cm x 500cm with roof extension 40cm, around circumference
Height, eaves / gable	249cm / 354cm
Area / building volume	24,00m² / 90,45m³ (without roof extension)
Roof inclination/- area	23° / 43,11m²
Snowload	max. sk = 1,75kN/m² (roofing tiles)
- Basic model	4018211 621903 (Boards and roofing felt)
- Roofing tiles	4018211 621910 (Counter battens and battens for roofing tiles)
- Shingles	4018211 621927 (Counter battens and 2. battens for shingles)
	(Roofing tiles and shingles are not included!)
	(The informations about height and building volume are for the basic model !)
Inclusive	1 door (passage 78 x 196cm), 2 interior doors (passage 78 x 195cm), 3 tilt- and turn windows (opening 68 x 78cm), 2 tilt- and turn windows (opening 126,5 x 78cm), concealed tie rod construction , profiled corner connections
By costumer	Insulation, assembly ground supports with subsoil