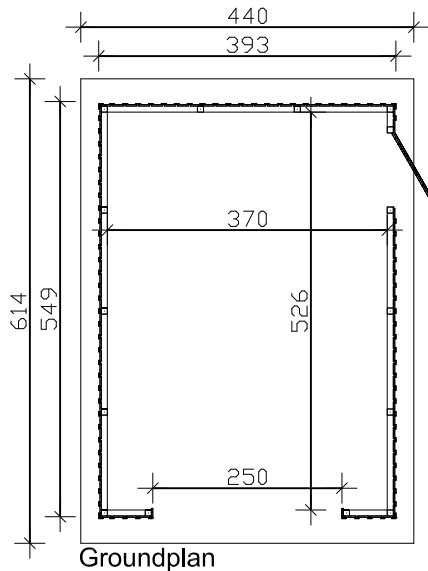




4018211 233007  
4018211 233014

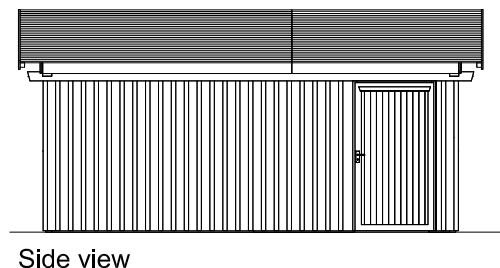
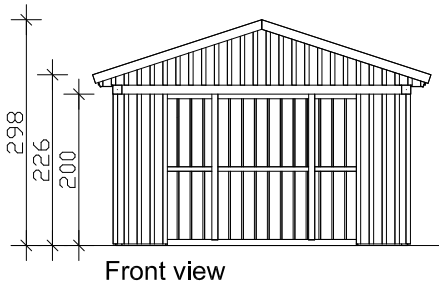
**with battens** (intended for bricks)\*  
**with roof sheathing** (provided for shingles)

\* Please note when selecting the Tile the roof pitch of 18 °.



The included rear door can be positioned in the right or left wall.

The opening size of 250x200cm is designed for the assembly of a sectional. Further information is available in stores or from manufacturers such as Hormann, Teckentrupp, etc.



S 1:100

**Falun 1 393x549cm (440x614cm)**

**Technical information / Construction description**

*Falun*

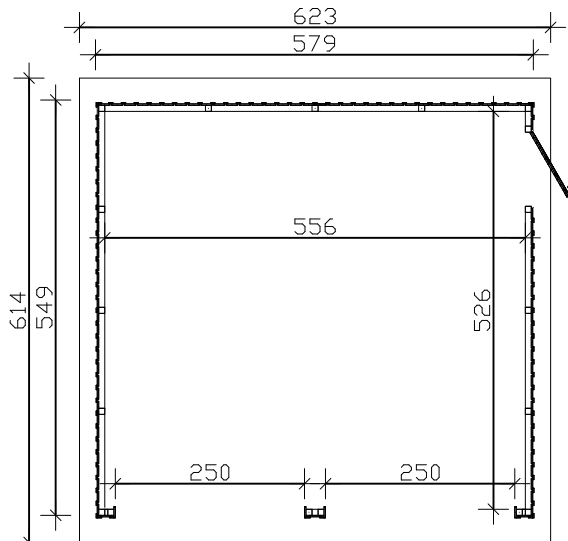
<b>Type of wood</b>	<b>KVH, untreated / Iron parts: galvanized</b>
<b>Wall construction</b>	<b>Frame 8x8cm with cover formwork</b>
	<b>scheduled for 1 goal 250x200cm (sold separately)</b>
<b>Roof</b>	<b>Battens or boards (without replacement)</b>
<b>Roof pitch / -area</b>	<b>18° / 27,94m<sup>2</sup></b>
<b>Snow load</b>	<b>sk = 1,65kN/m<sup>2</sup> (for shingles) / sk = 1,25kN/m<sup>2</sup> (for bricks)</b>
<b>Width x Length</b>	<b>393x549cm / 440x614cm ( roofed area )</b>
<b>Eave height (Ridge)</b>	<b>226cm (298cm) / Entrance: 200cm</b>
<b>Area / Building area</b>	<b>21,58m<sup>2</sup> / 56,53m<sup>3</sup></b>
<b>Package dimensions</b>	<b>W x L x H 115 x 440 x 60cm / 650kg</b>
<b>Includes</b>	mounting hardware, installation instructions, including 1 door 98x198cm (86x192cm clearance required)



4018211 233052  
4018211 233069

**with battens** (intended for bricks)\*  
**with roof sheathing** (provided for shingles)

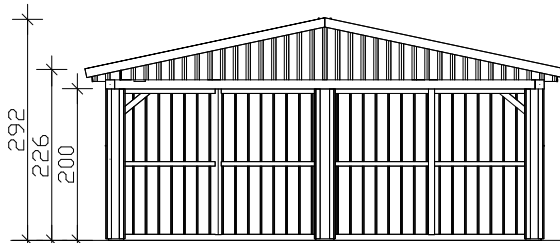
\* Please note when selecting the Tile the roof pitch of 12 °.



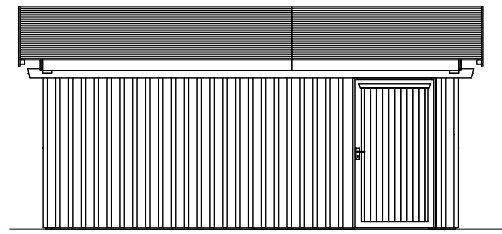
Groundplan

The included rear door can be positioned in the right or left wall.

The opening size of 250x200cm is designed for the assembly of a sectional. Further information is available in stores or from manufacturers such as Hormann, Teckentrupp, etc.



Front view



Side view

S 1:100

**Falun 1 579x549cm (623x614cm)**

**Technical information / Construction description**

*Falun*

<b>Type of wood</b>	<b>KVH, untreated / Iron parts: galvanized</b>
<b>Wall construction</b>	<b>Frame 8x8cm with cover formwork</b>
	<b>scheduled for 2 goal 250x200cm (sold separately)</b>
<b>Roof</b>	<b>Battens or boards (without replacement)</b>
<b>Roof pitch / -area</b>	<b>12° / 36,62m<sup>2</sup></b>
<b>Snow load</b>	<b>sk = 1,65kN/m<sup>2</sup> (for shingles) / sk = 1,25kN/m<sup>2</sup> (for bricks)</b>
<b>Width x Length</b>	<b>579x549cm / 623x614cm ( roofed area )</b>
<b>Eave height (Ridge)</b>	<b>226cm (292cm) / Entrance: 200cm</b>
<b>Area / Building area</b>	<b>31,79m<sup>2</sup> / 82,33m<sup>3</sup></b>
<b>Package dimensions</b>	<b>W x L x H 115 x 630 x 65cm / 750kg</b>
<b>Includes</b>	mounting hardware, installation instructions, including 1 door 98x198cm (86x192cm clearance required)