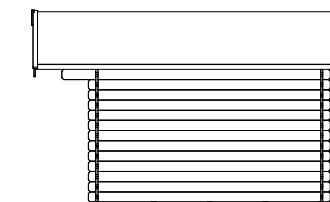
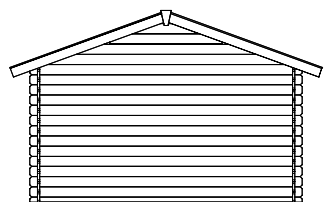
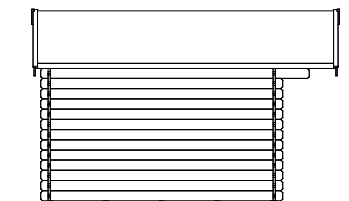
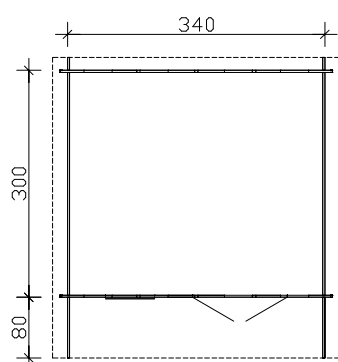
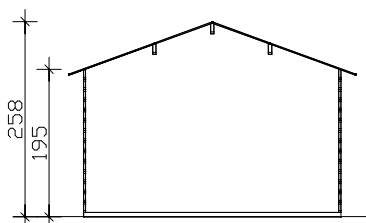


**SKAN HOLZ**  
Log cabins

1. 28mm planks as stable wall construction
2. concealed cross-bracing for optimum utilization of space
3. profiled corner connections for reliable protection against rain

Wooden floor with ground supports, roofing paper and accessories included.

SKAN HOLZ corner connections



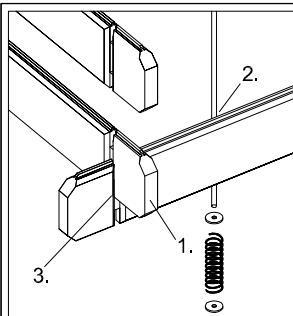
Floor plan, cross-section and elevations M 1:100

**Malaga 1 340 x 300cm**

**Data sheet / construction description**

*Malaga*

|                               |   |
|-------------------------------|---|
| <b>Walls</b>                  | <b>28mm-wooden planks</b> , untreated   |
| <b>Roof</b>                   | <b>19mm profiled wood</b> , untreated   |
| <b>Floors</b>                 | <b>19mm floor planks</b> , untreated  |
| <b>Ground supports</b>        | <b>5 each 60 x 60mm</b> , impregnated   |
| <b>Iron parts</b>             | <b>galvanized</b>   |
| <b>Width x depth</b>          | <b>340cm x 300cm plus 80cm for canopy roof</b>  |
| <b>Height, eaves / gable</b>  | <b>195cm / 258cm</b>  |
| <b>Area / building volume</b> | <b>10,20m<sup>2</sup> / 23,10m<sup>3</sup></b> (without canopy roof) / <b>29,26m<sup>3</sup></b> (incl. canopy roof)  |
| <b>Roof inclination</b>       | <b>20° / snow load max. sk = 0,75kN/m<sup>2</sup></b>   |
| <b>Roof extension</b>         | <b>Front shed gable 80cm, otherwise 20cm / roof surface 15,96m<sup>2</sup></b>  |
| <b>Packaging unit</b>         | <b>Width x length x height 120 x 424 x 45cm / 729kg</b>   |
| <b>EAN</b>                    | <b>4018211 602551</b>   |
| <b>Inclusive</b>              | <b>1 double door</b> (passage 117,5 x 179,5cm), <b>1 side hinged-single window</b> (opening 57,5 x 70,5cm), <b>1 layer of tarpaper for roofing, concealed tie rod construction, profiled corner connections</b> |

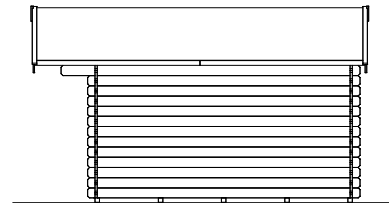
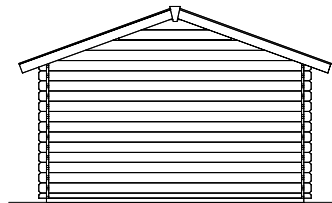
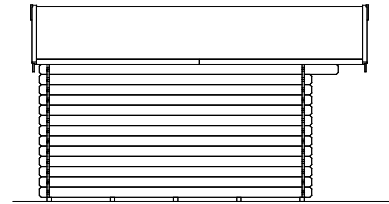
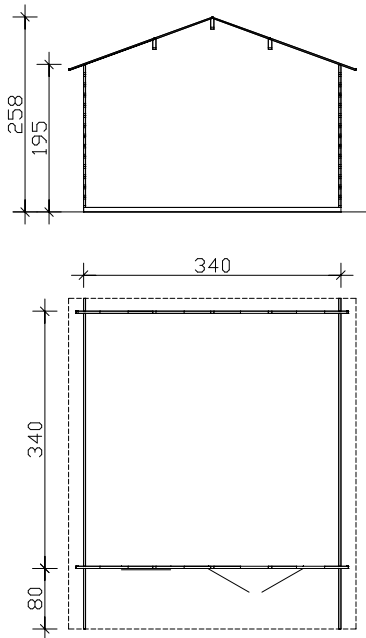


**SKAN HOLZ**  
Log cabins

1. 28mm planks as stable wall construction
2. concealed cross-bracing for optimum utilization of space
3. profiled corner connections for reliable protection against rain

Wooden floor with ground supports, roofing paper and accessories included.

SKAN HOLZ corner connections



Floor plan, cross-section and elevations M 1:100

**Malaga 2 340 x 340cm**

**Data sheet / construction description**

*Malaga*

|                               |   |
|-------------------------------|---|
| <b>Walls</b>                  | <b>28mm-wooden planks</b> , untreated   |
| <b>Roof</b>                   | <b>19mm profiled wood</b> , untreated   |
| <b>Floors</b>                 | <b>19mm floor planks</b> , untreated  |
| <b>Ground supports</b>        | <b>5 each 60 x 60mm</b> , impregnated   |
| <b>Iron parts</b>             | <b>galvanized</b>   |
| <b>Width x depth</b>          | <b>340cm x 340cm plus 80cm for canopy roof</b>  |
| <b>Height, eaves / gable</b>  | <b>195cm / 258cm</b>  |
| <b>Area / building volume</b> | <b>11,56m<sup>2</sup> / 26,18m<sup>3</sup></b> (without canopy roof) /<br><b>32,34m<sup>3</sup></b> (incl. canopy roof)   |
| <b>Roof inclination</b>       | <b>20° / snow load max. sk = 0,75kN/m<sup>2</sup></b>   |
| <b>Roof extension</b>         | <b>Front shed gable 80cm, otherwise 20cm /</b><br><b>roof surface 17,57m<sup>2</sup></b>  |
| <b>Packaging unit</b>         | <b>Width x length x height 120 x 424 x 47cm / 781kg</b>   |
| <b>EAN</b>                    | <b>4018211 602605</b>   |
| <b>Inclusive</b>              | <b>1 double door</b> (passage 117,5 x 179,5cm), <b>1 side hinged-single window</b> (opening 57,5 x 70,5cm), <b>1 layer of tarpaper for roofing, concealed tie rod construction, profiled corner connections</b> |